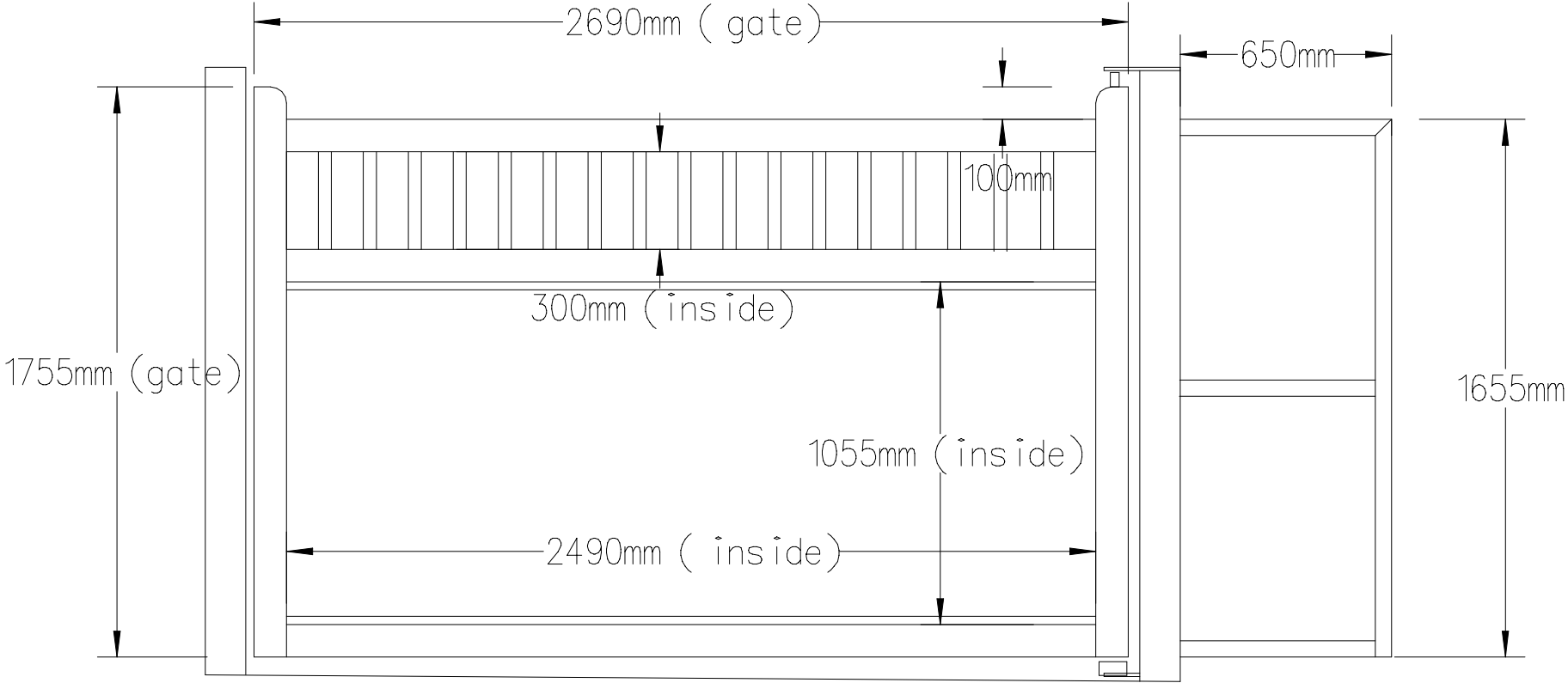


Timber clad gate



outside looking in

100 x 50 frame & mid rail

40 SQ verts

25 SQ for timber flush with inside

side panel all 50 sq